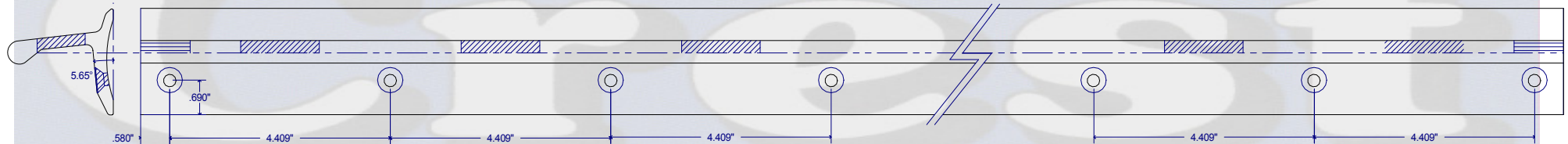
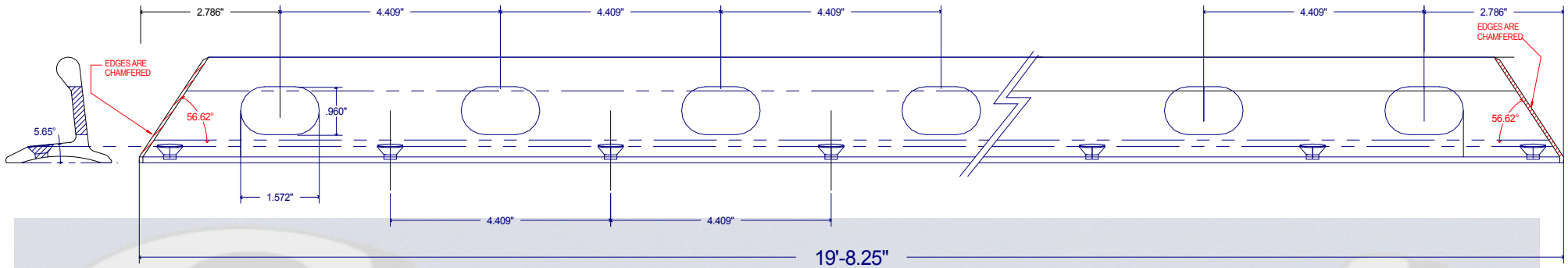


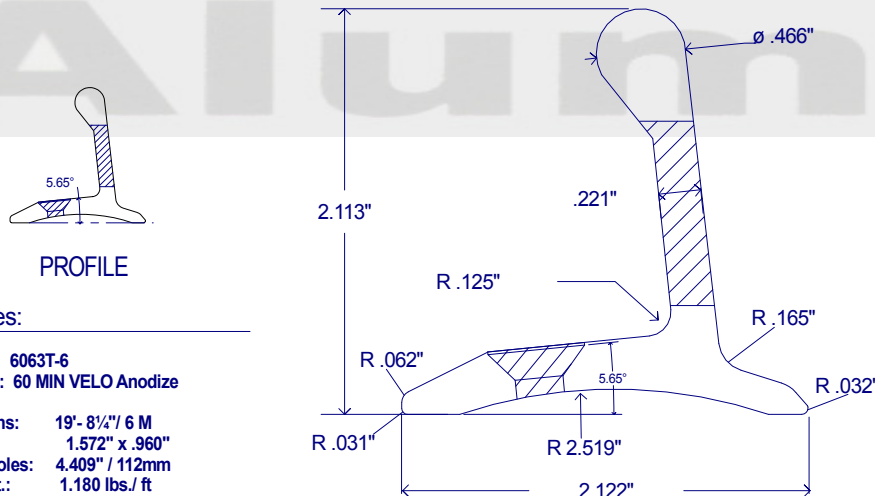
ENDS ARE SYMETRICAL!

SIDE VIEW

ENDS ARE SYMETRICAL!



TOP VIEW



PROFILE

Notes:

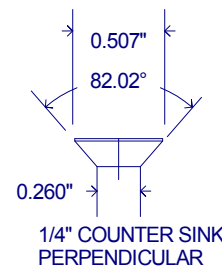
Alloy: 6063T-6
Finish: 60 MIN VELO Anodize

Lengths: 19'-8 1/4" / 6 M
Slots: 1.572" x .960"
Mtg Holes: 4.409" / 112mm
Wt./ Ft.: 1.180 lbs./ ft

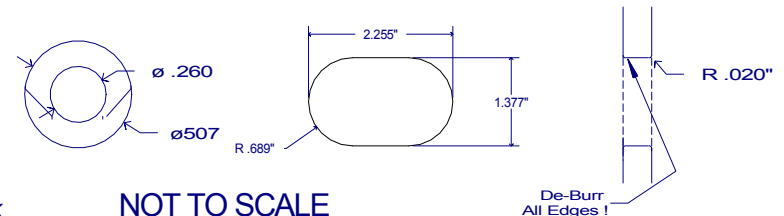
ACTUAL SIZE

GENERAL NOTES:
DE-BURR ALL SLOT EDGES.
CHAMFER ALL ENDS AS
PER DRAWING.

Hole Dim.



Slot Dim.



NOT TO SCALE

PART NO	C-2808		Crest Aluminum Products Inc 8287 Tyler Blvd Mentor OH 44060 USA	REVISIONS	DATE
ALLOY	6063 T-6				
FINISH	ANOD	JOB NO.	DATE: 08-06-2012		
LENGTHS	TBD	CUSTOMER / PROJECT			
UNSPEC RADIUS	.016"	Wauquiez Pretorien 35			
DRAWING BY:	J. M. ALLIN SR.	© Crest Aluminum Products Inc 2012 J.M. Allin SR.			