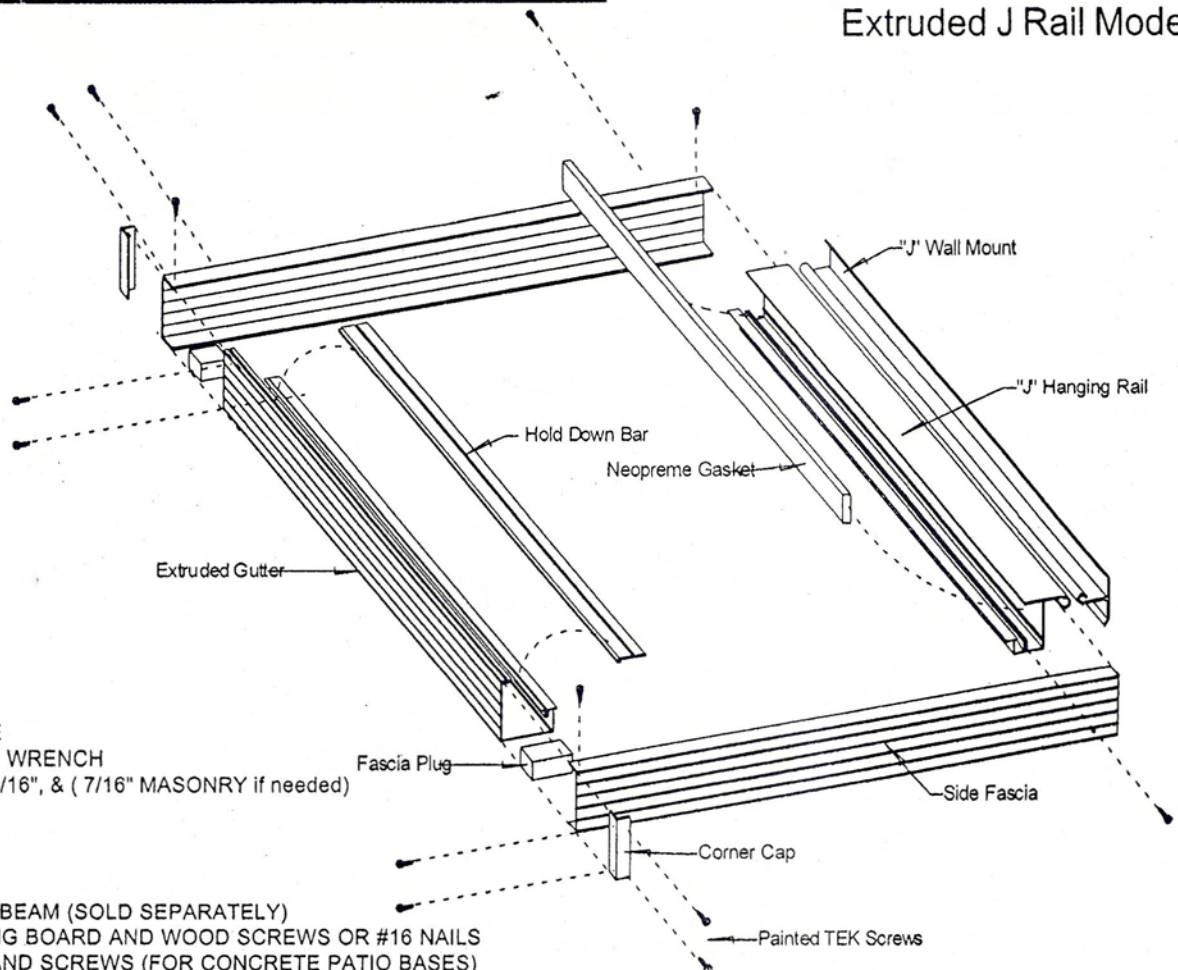


# ASSEMBLY INSTRUCTIONS

## 700 ULTRA Series J Rail Patio Covers

Extruded J Rail Model



**TOOLS REQUIRED**

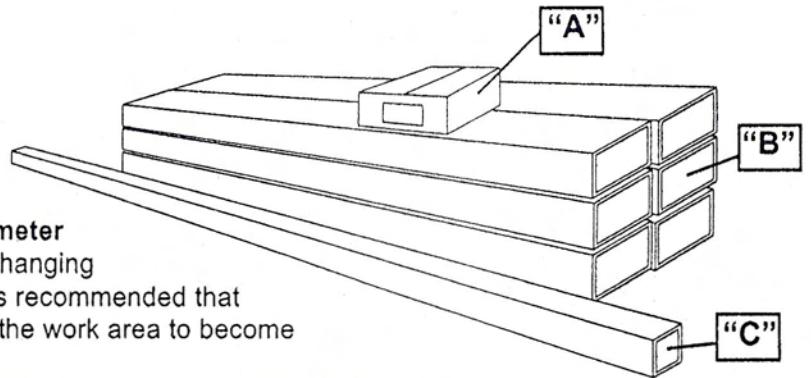
- LEVEL
- PENCIL
- HACKSAW
- STEP LADDER
- SCREW DRIVER
- ELECTRIC DRILL
- MEASURING TAPE
- SAFETY GOGGLES
- CARPENTER'S SQUARE
- 1/2" DRIVER OR SOCKET WRENCH
- DRILL BITS: 1/8", 3/16", 5/16", & (7/16" MASONRY if needed)

**OPTIONAL ITEMS**

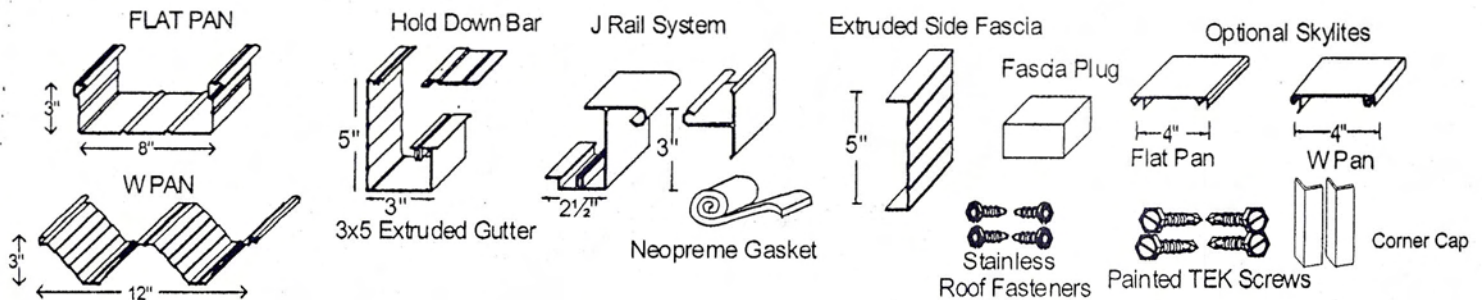
- MOUNTING POSTS AND BEAM (SOLD SEPARATELY)
- OPTIONAL 2x6 MOUNTING BOARD AND WOOD SCREWS OR #16 NAILS
- MASONRY ANCHORS AND SCREWS (FOR CONCRETE PATIO BASES)
- DOWN SPOUT KIT

**INTRODUCTION:**

Your Patio Cover will arrive in 3 types of cartons. The **Hardware Kit** will be packed in a square box such as "A". The **Roof Pans** will be packed in 2 or more cartons such as "B". The **Perimeter Kit** which includes the gutter, side fascias, and wall hanging system will be packed in 1 long carton like "C". It is recommended that before you start you remove all parts and lay out in the work area to become familiar with them.



**700 SERIES "J" RAIL PATIO COVER PARTS**





### STEP 1- ATTACH J WALL MOUNT TO WALL

IT IS IMPORTANT THAT THE HANGING RAIL BE SECURELY ANCHORED TO A SOUND AND FLAT MOUNTING SURFACE. A SPECIAL MOUNTING BOARD (2" X 6") CAN BE USED IF EXISTING SURFACE IS QUESTIONABLE, OR WHERE RAFTER OR STUD SPACING MAY BE GREATER THAN 16" ON CENTER. THE MOUNTING BOARD SHOULD BE ATTACHED WITH WOOD SCREWS OR WITH #16 NAILS INTO WALL STUDS OR RAFTERS ON FRAME CONSTRUCTION. MASONRY ANCHORS SHOULD BE USED ON BRICK OR ON MASONRY INSTALLATIONS. COUNTERSINK ALL FASTENERS. NOTE: IF UNIT IS MOUNTED TO AN EAVE, SCREWS MUST GO INTO THE ENDS OF RAFTERS.

THE HEIGHT FROM THE GROUND TO THE BOTTOM OF THE HANGING RAIL IS NORMALLY 8'- 3 7/8". FOR MOST INSTALLATIONS OVER A DOOR, IN ORDER TO MAINTAIN DOOR CLEARANCE, THE MINIMUM HEIGHT ABOVE THE DOOR IS 6". (FIG. 1). DO NOT BLOCK WINDOWS WITH THE WALL MOUNT.

### WALL STUD OR RAFTER ATTACHMENT

LOCATE STUDS OR RAFTERS IN THE MOUNTING WALL. LEVEL HANGING RAIL ON WALL AND DRILL A 3/16" HOLE THROUGH THE HANGING RAIL AT EVERY STUD OR RAFTER. ALTERNATING BETWEEN THE TOP AND BOTTOM OF THE RAIL WITH HOLES. REMOVE HANGING RAIL FROM WALL AND ENLARGE HOLES IN HANGING RAIL WITH A 1/4" BIT. THIS WILL ENABLE FASTENERS TO PASS THROUGH THE HANGING RAIL. ALIGN HOLES IN RAIL WITH HOLES IN WALL. FASTEN WITH 1/4" X 2 1/2" SCREWS, CAULK TOP OF HANGING RAIL WHERE IT MEETS THE WALL (FIG 2). FOR INSTALLATION ON MFG HOUSING UNIT, REFER TO MANUFACTURER'S RECOMMENDATIONS.

### BRICK OR MASONRY ATTACHMENT

DRILL HOLES IN HANGING RAIL TO FIT MASONRY ANCHORS. (PURCHASED LOCALLY), 16" ON CENTER. LEVEL HANGING RAIL ON WALL, USING HOLES IN HANGING RAIL AS A GUIDE, DRILL HOLES IN WALL WITH PROPER SIZED MASONRY BIT (DO NOT DRILL HOLES IN MORTAR JOINTS). FOLLOWING MANUFACTURER'S DIRECTIONS, ATTACH HANGING RAIL TO WALL WITH THE MASONRY ANCHORS. CAULK TOP OF HANGING RAIL WHERE IT MEETS THE WALL (FIG 2).

### STEP 2 - WEATHER-STRIP AND MARK THE J RAIL AND GUTTER FOR PAN ALIGNMENT

(A) PEEL PAPER BACKING ON NEOPRENE GASKET APPROX. 4" AND ATTACH TO ONE END OF HANGING RAIL (FIG 3), MAKING SURE THAT GASKET SITS ON LEDGE TO PREVENT LEAKAGE. CONTINUE TO APPLY WEATHER-STRIP ALONG FULL LENGTH OF HANGING RAIL.

(B) TO PROPERLY SPACE PANS, DRAW LINES AT THE TOP EDGE OF THE HANGING RAIL AND THE FRONT GUTTER AT 8" OR 12" INTERVALS DEPENDING ON THE STYLE OF ROOF PAN BEING USED. ( *W PANS ARE 12"*, *FLAT PANS ARE 8"*). DURING INSTALLATION OF PANS THE TOP LOCK OF THE ROOF PAN MUST LINE UP WITH THESE MARKS. *ROOF PANS HAVE A TOP AND A BOTTOM. THE LOCK SECTION IS THE TOP OF THE PANEL.* ROOF PANELS ARE INSTALLED ONE AT A TIME.

### STEP 3 - PLACE J HANGING RAIL INTO WALL MOUNT FIGURE 4

SET J HANGING RAIL INTO THE HOOK ON THE J WALL MOUNT. LOWER THE J RAIL DOWN INTO PLACE, IT WILL ENGAGE THE HOOK ON THE WALL MOUNT TO CREATE A HINGE. FIG 4. LOCK J RAIL INTO PLACE BY INSERTING 1 #14 LAG SCREW INTO EACH END, THE HEADS OF THE BOLTS WILL PREVENT THE RAILS FROM COMING UNHINGED. NOTE: IF WALL IS UNEVEN, YOU MAY NEED TO LOOSEN FASTENERS ON WALL MOUNT TO SEAT HANGING RAIL, IF SO, TIGHTEN ALL SCREWS IN WALL MOUNT AFTER HANGING RAIL IS SEATED.

### STEP 4 - ROOF PAN INSTALLATION & SQUARING COVER FIGURE 5

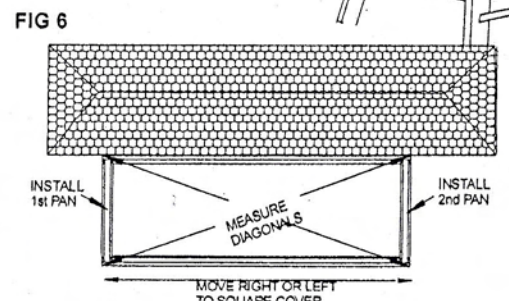
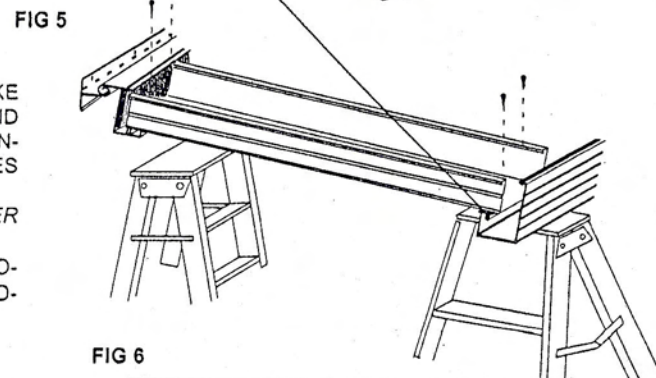
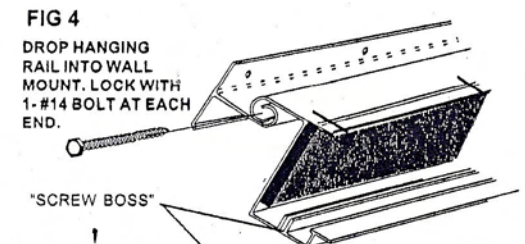
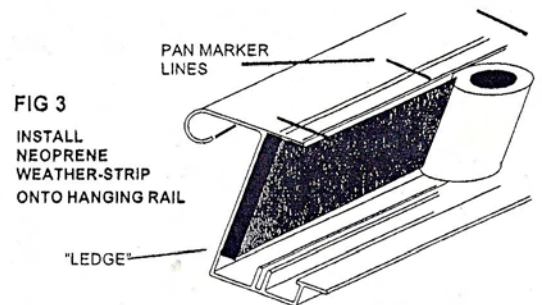
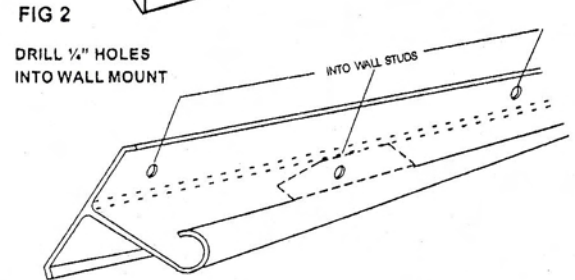
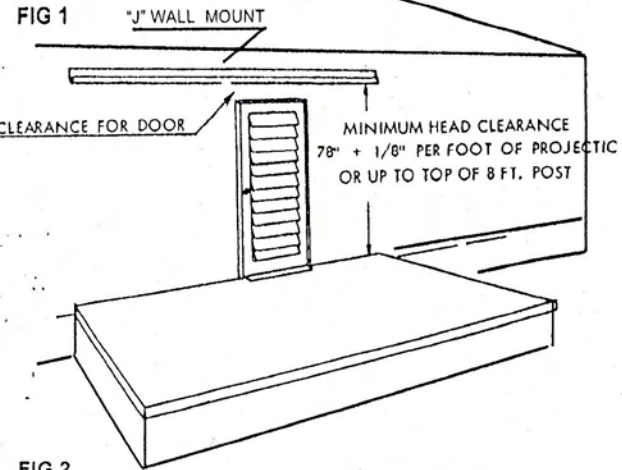
PLACE THE GUTTER FASCIA ON A SET OF SAW HORSES (OR LADDERS).

(A) TAKE TWO ROOF PANS. PLACE ONE AT ONE END OF THE HANGING RAIL, MAKE SURE THAT THE PAN IS PUSHED FIRMLY UP AGAINST THE NEOPRENE GASKET AND THAT THE HOLES ARE OVER THE SCREW BOSS. FASTEN PAN WITH 2- #8X1/2" STAINLESS SCREWS THROUGH THE HOLES IN THE PAN INTO THE SCREW BOSS. LINE HOLES UP WITH THE SCREW BOSS ON THE GUTTER AND FASTEN IN THE SAME MANNER. FOR EASE OF CLEANING THE GUTTER THE PANS ONLY EXTEND 1" INTO THE GUTTER FASCIA. INSTALL 2ND PAN AT OTHER END OF PATIO COVER IN THE SAME MANNER.

(B) TO SQUARE THE UNIT, MEASURE DIAGONALLY (FIG 6). MAKE SURE BOTH DIAGONAL MEASUREMENTS ARE THE SAME. IF MEASUREMENTS ARE NOT THE SAME, ADJUST GUTTER SECTION RIGHT OR LEFT UNTIL DIMENSIONS ARE EQUAL.

### STEP 5 - INSTALL BALANCE OF ROOF PANS

STARTING BACK AT THE FIRST PAN YOU INSTALLED, CONTINUE INSTALLING PANS, CHECKING AS YOU GO TO INSURE THAT THE COVER IS SQUARE AND THAT THE PANS LINE UP WITH THE MARKS ON THE HANGING RAIL AND GUTTER. IF THE LAST PAN IS NOT WITHIN 1/2" OF THE EDGE OF THE GUTTER AT THE END YOU MAY NEED TO DISASSEMBLE THE PANS AND START OVER.





### STEP 6 - INSTALL THE HOLD DOWN BAR

(A) ONCE ALL THE PANS ARE IN PLACE, TAKE THE HOLD DOWN BAR AND DROP IT INTO THE SLOT AT THE TOP EDGE OF THE GUTTER FASCIA. ROTATE IT DOWNWARD TOWARDS THE HOUSE UNTIL IT "SNAPS" INTO PLACE AND RESTS ON THE TOP OF THE ROOF PAN BEADS. DRILL A 1/8TH HOLE THROUGH THE HOLD DOWN BAR AND INTO THE BEAD OF EVERY THIRD ROOF PAN AND FASTEN WITH 1 # 8X1/2" WHITE TEK SCREW. THIS TIES THE FRONT EDGE OF THE GUTTER TO THE PANS AND STRENGTHENS THE ENTIRE UNIT.

### STEP 7 - INSERT FASCIA FOAM BLOCKS FIGURE 7

(A) CAULK AROUND EDGE OF FASCIA BLOCK (FIG. 7) INSERT ONE FASCIA BLOCK INTO EACH END OF GUTTER SO IT IS FLUSH WITH THE END OF THE GUTTER

### STEP 8 - PREPARATION OF COLUMNS/POSTS - FIGURE 8

(A) DETERMINE THE DISTANCE FROM THE HOUSE TO WHERE YOUR SUPPORT POSTS WILL BE INSTALLED AND MAKE A MARK ON THE FIRST AND LAST PANS. FASTEN THE SET BACK, OR I BEAM AT THESE MARKS WITH #10X 1" WASHER HEAD SCREWS.

EACH UNIT WILL REQUIRE 3 OR MORE COLUMNS/POSTS. COMPLETED PATIO COVER MUST BE LOWER IN FRONT THAN AT REAR TO ALLOW FOR PROPER WATER DRAINAGE.

(B) USING 78" AS A MINIMUM FRONT CLEARANCE HEIGHT, RAISE THE COVER TO DESIRED HEIGHT, MAKE SURE IT IS LEVEL AND TEMPORARILY SUPPORT IT.

### STEP 9 - INSTALL COLUMNS

(A) MEASURE THE DISTANCE FROM THE BEAM TO THE PATIO BASE ON THE RIGHT SIDE AND INSTALL ONE SUPPORT POST THERE. MEASURE THE SAME DISTANCE FOR THE LEFT SIDE AND INSTALL THAT POST. CENTER POSTS ARE NOW MEASURED FOR AND INSTALLED.

### STEP 10 - ATTACH SIDE FASCIAS AND CORNER CAPS

THE SIDE FASCIA CAPS THE END OF THE FRONT GUTTER AND REAR HANGING RAIL.

(A) WITH THE COVER AT THE PROPER HEIGHT, PLACE ONE OF THE SIDE FASCIAS ON THE RIGHT SIDE OVER THE END OF THE FRONT GUTTER AND SLIDE IT UP TO THE HOUSE EVEN WITH THE TOP OF THE "J" RAIL UNTIL IT TOUCHES THE HOUSE WALL. DRAW A LINE ON THE FASCIA, PARALLEL WITH THE HOUSE WALL AND CUT THE SIDE FASCIA ALONG THIS LINE. PUSH THE FASCIA UP AGAINST THE HOUSE WALL AND MARK THE OTHER END WHERE ALONG THE FRONT EDGE OF THE GUTTER. CUT ALONG THIS LINE. FASTEN THE FASCIA TO THE FRONT GUTTER BY DRILLING A 1/8" HOLE AT THE TOP OF THE FASCIA WHERE IT MEET THE TOP OF THE GUTTER. INSTALL 1 #8X1/2" WHITE SCREW HERE. REPEAT THIS PROCEDURE FOR THE OTHER SIDE OF THE COVER.

(B) ATTACH CORNER CAPS. PLACE CORNER CAP OVER GUTTER AND SIDE FASCIA. DRILL 1/8" HOLES AND ATTACH WITH #8X1/2" SCREWS.

### STEP 11 - ATTACH RAIN SCUPPERS - FIGURE 10 (DOWNSPOUTS ARE OPTIONAL)

MEASURE 5" FROM OUTSIDE EDGE OF GUTTER AND DRILL OR CUT A 1 1/2" DIAMETER HOLE IN THE CENTER OF THE GUTTER (FIG 9). PLACE DRAIN CAP OVER HOLE AND FASTEN WITH #8X1/2" SCREWS.

YOUR NEW 700 ULTRA SERIES CREST PATIO COVER IS NOW READY FOR USE !!!

### CLEANING INSTRUCTIONS

TO CARE FOR YOUR 700 ULTRA SERIES PATIO COVER, CLEAN OUT GUTTERS TO REMOVE BUILD UP OF LEAVES WHICH CAN PREVENT WATER FROM DRAINING PROPERLY. USE A MILD DETERGENT AND SPONGE TO CLEAN EXPOSED GUTTER AND ROOF SURFACES. RINSE WITH GARDEN HOSE AND DRY WITH TOWEL TO PREVENT WATER SPOTS. A GOOD QUALITY AUTOMOTIVE WAX WILL EXTEND THE FACTORY FINISH FOR YEARS TO COME.

FIG 7

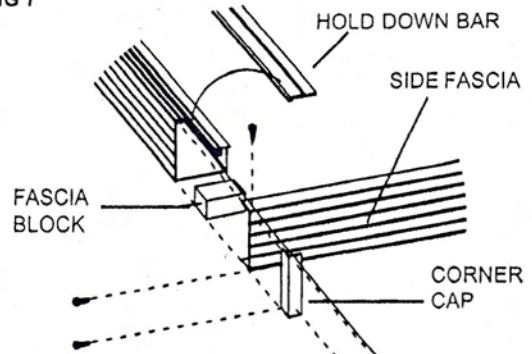


FIG 8

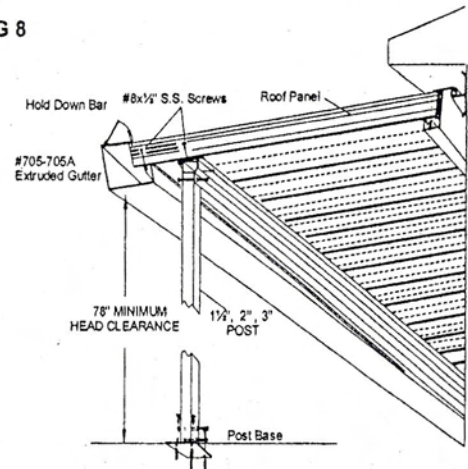


FIG 9

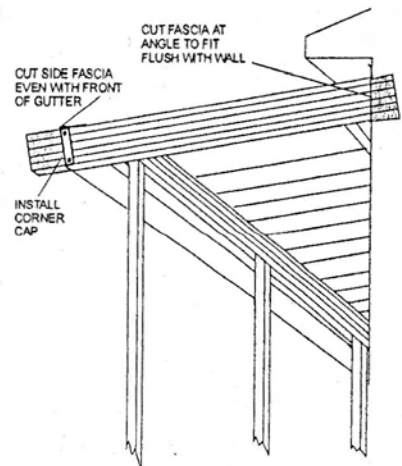


FIG 10

