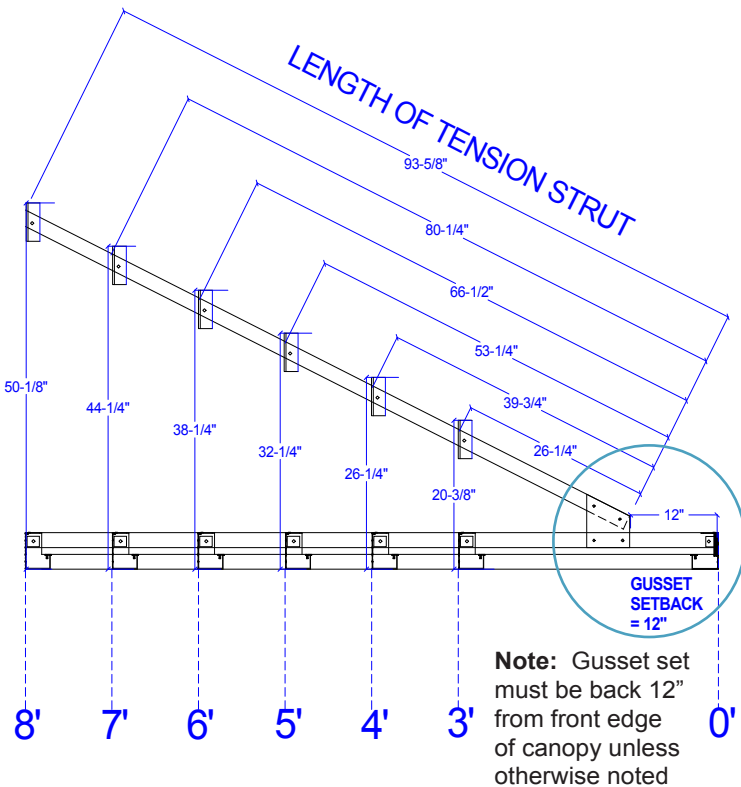
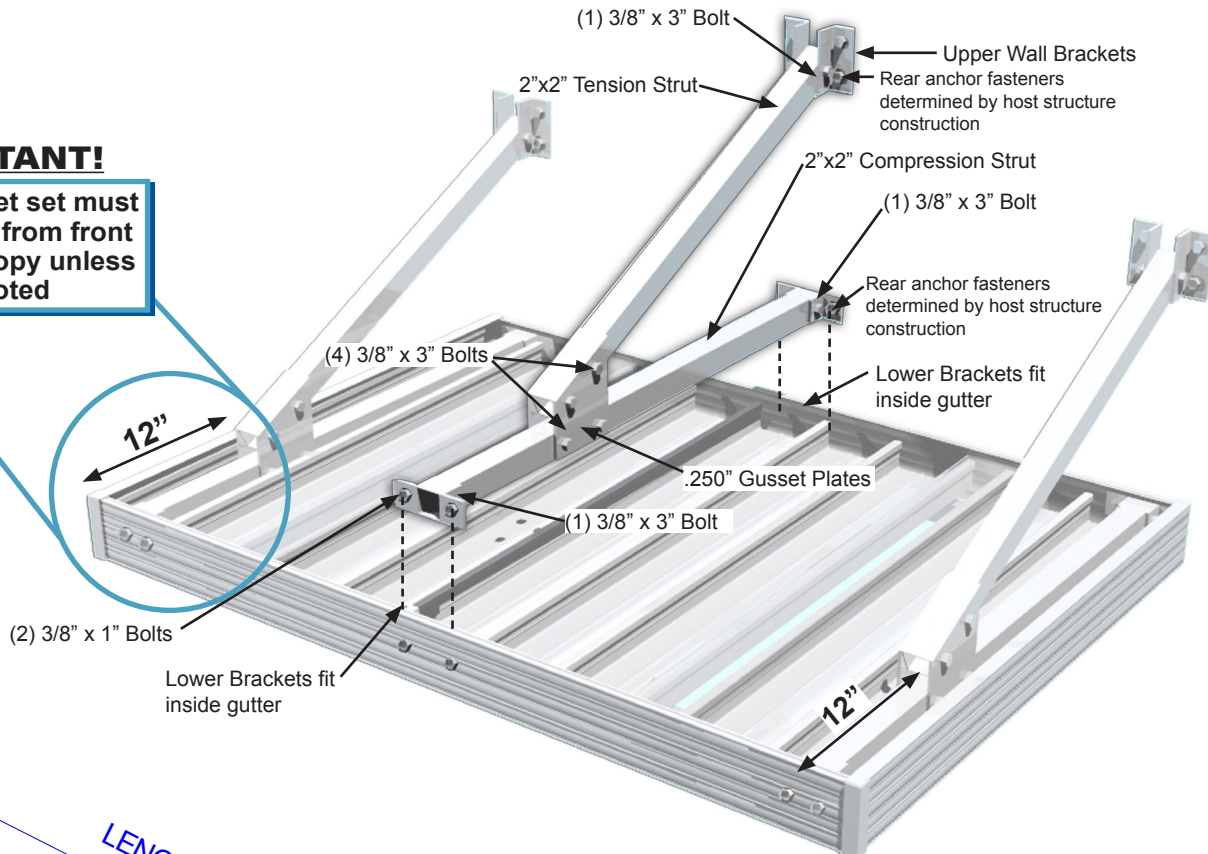


COMMERCIAL CANOPY SUPPORT HARDWARE KIT

IMPORTANT!

Note: Gusset set must be back 12" from front edge of canopy unless otherwise noted



Note: Gusset set must be back 12" from front edge of canopy unless otherwise noted

#712 OVERHEAD SUPPORT KIT COMPONENTS

