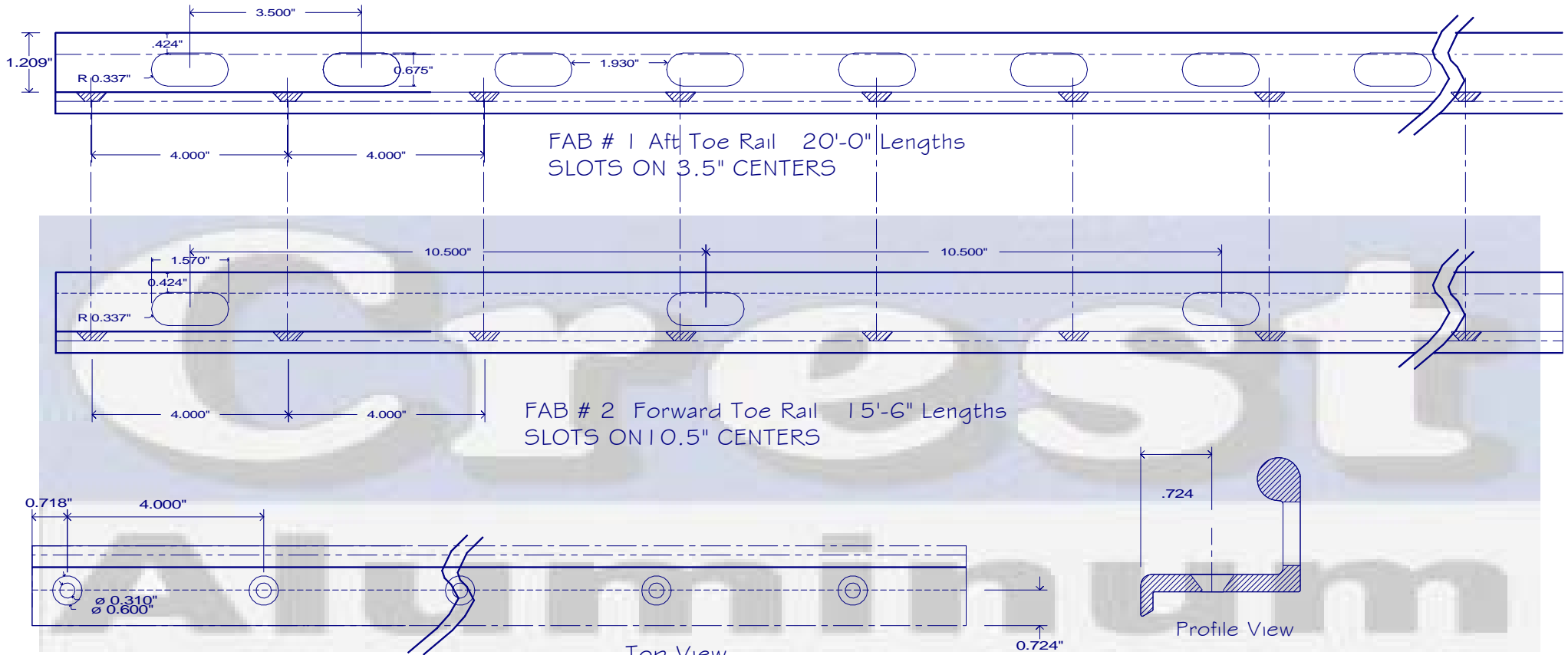


# OLD STYLE "C & C" SLOTTED TOE RAILS FORWARD AND AFT VERSIONS



MARINE PRODUCTS  
www.crestaluminum.com

Crest Aluminum Products Inc  
Part No. C-2818 FWD  
C-2818 AFT  
Old Style C&C Toe Rails



**Notes:**

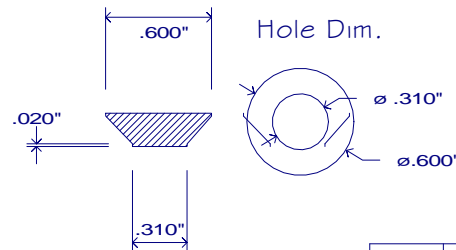
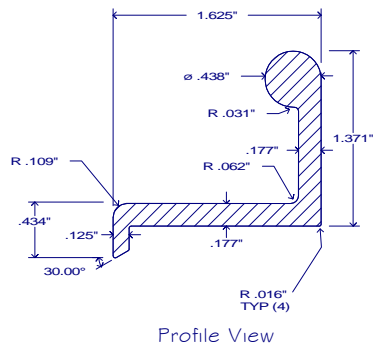
**Alloy:** 6061 T-6

**Finish:** Hard Coat Anod.

**Lengths:** 15'-6" AND 20'

**Slots:** AFT RAIL 1.57" x .675" 3.5" on center

FWD RAIL 1.57" x .675" 10.5" on center



ALLOY	6061-T6	Crest Aluminum Products Inc 8287 Tyler Blvd Mentor OH 44060 USA	REVISIONS	DATE
LENGTHS	20'-0" and 15'-6"		JOB NO.	DATE: 11-21-06
FINISH	HARDCOAT ANOD	CUSTOMER / PROJECT		
			"C&C" Old Style TOE RAIL	
			SCALE: 1" = 1"	

© Crest Aluminum Products Inc 2006 J.M. Allen