

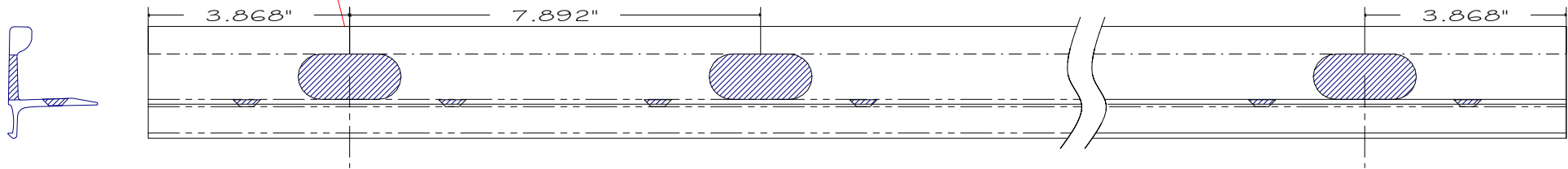
CREST #2828-A - O'DAY 40 TOE RAIL
 CREST #2828-B - O'DAY 40 RUB RAIL



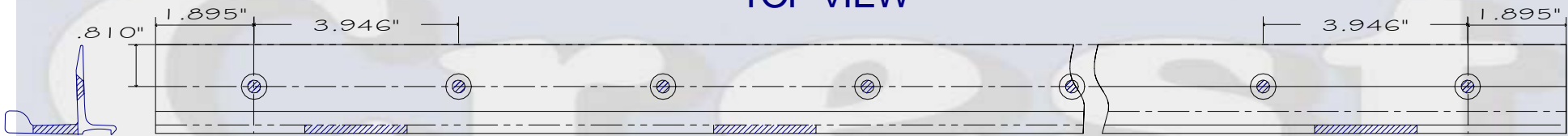
Crest Aluminum Products Inc
 MARINE PRODUCTS DIV
 www.crestaluminum.com

SLOT HOLES
 DE-BURR
 ALL EDGES

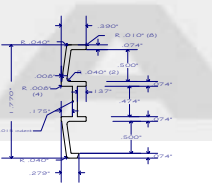
SIDE VIEW



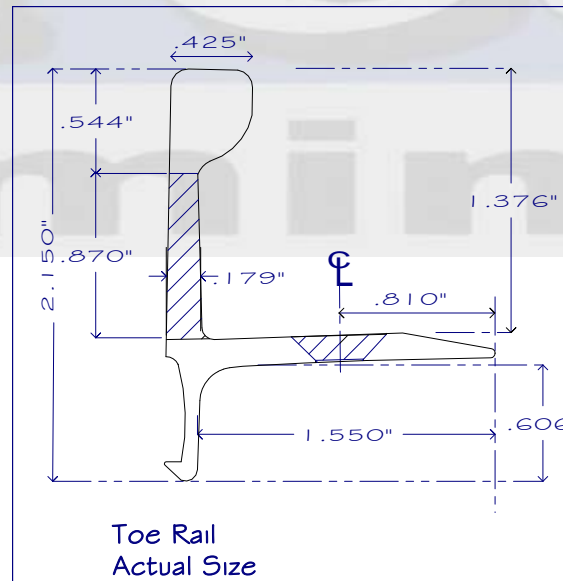
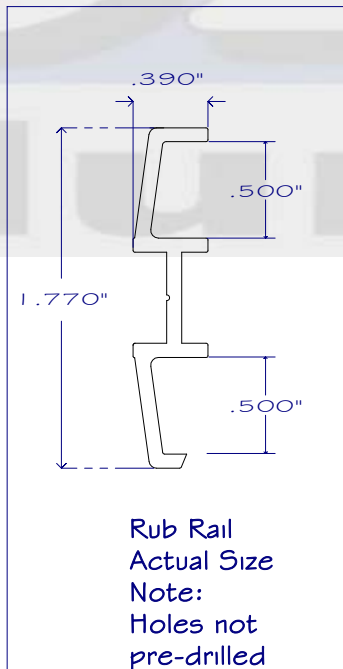
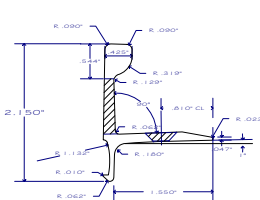
TOP VIEW



Profile Rub Rail



Profile Toe Rail

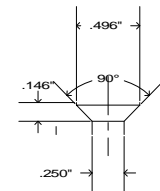


General Notes:

**De-Burr All Edges
 on Slotted Holes !!**



SLOT DETAIL



FASTENER HOLE
 DETAIL

Alloy: 6061 T-6
 Finish: Clear 30 Min Velo
 Lengths: TBD
 Slots: 7.875" On Center
 Holes: 3 15/16" On Center
 Wt./ Ft.: tbd

PART NO	2828		Crest Aluminum Products Inc 8287 Tyler Blvd Mentor OH 44060 USA	REVISIONS	DATE
ALLOY	6061 T-6				
FINISH	60 MIN CLR VELO	JOB NO.	DATE: 02-04-13		
LENGTHS	T.B.D	CUSTOMER / PROJECT			
UNSPEC RADIUS		O'DAY 40 TOE RAIL			
DRAWING BY:	J. M. ALLIN	© Crest Aluminum Products Inc 2008-2013 J.M. Allin Sr.			