

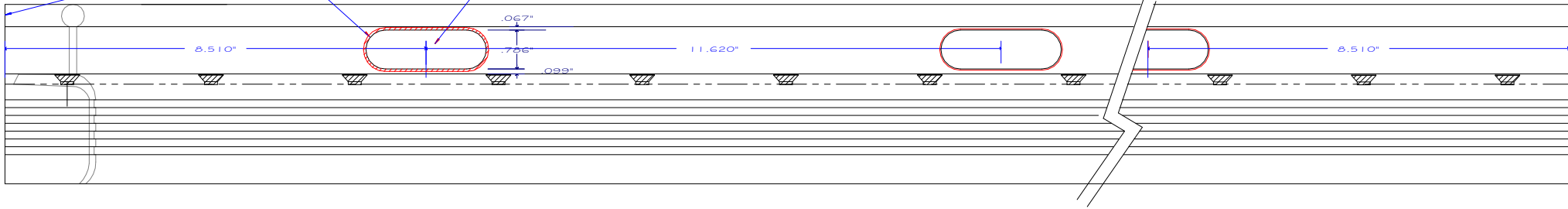
**AUTHORIZATION TO BEGIN DIE CONSTRUCTION**

This drawing is an exact copy of the designed part. By your signature on this print you agree to accept the design, dimensions, and ID mark location as shown and to accept all legal responsibility for infringement of patents, copyright or industrial design relating to this drawing and to hold CREST ALUMINUM PROD. CO. INC and its affiliates harmless from any claims, suits, actions, or demands arising there from. Please sign and return as soon as possible. Die construction cannot proceed until signed approval is received.

APPROVED BY: \_\_\_\_\_

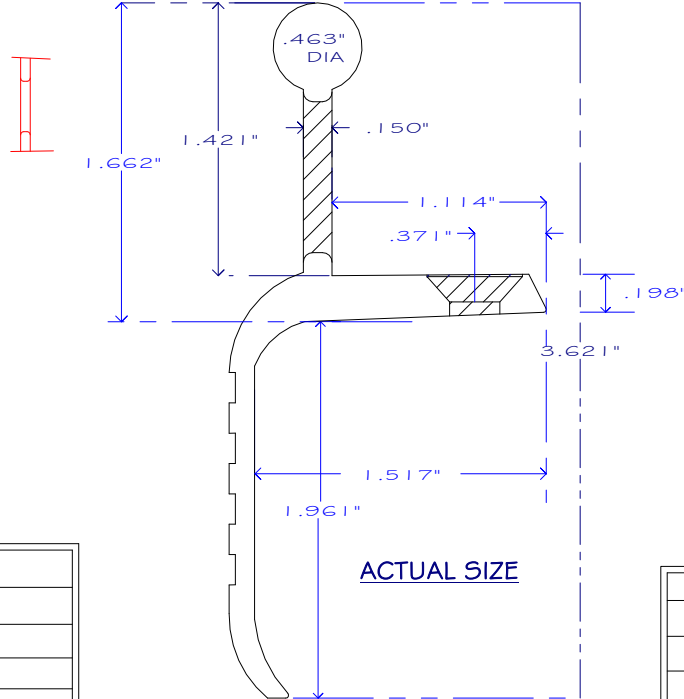
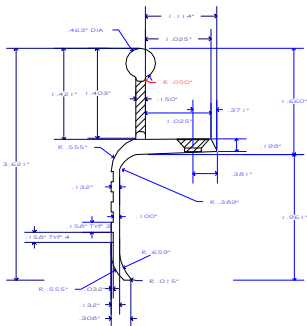
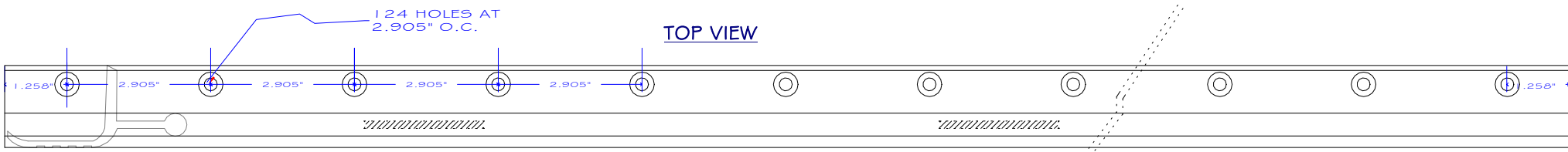
APPROVAL DATE: \_\_\_\_\_

**SIDE VIEW**

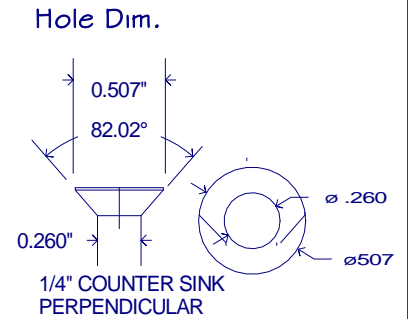
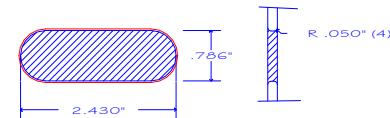


LENGTH 29'-6"

**TOP VIEW**



**GENERAL NOTES:**  
RADIUS ALL SLOT EDGES.  
CHAMFER ALL ENDS AS PER DRAWING.



NOT TO SCALE

ALLOY / TEMPER	6061 T-6
FINISH	60 MIN CLR VELO
LENGTHS	29'-6"
SLOTS	11.620" O.C.
MOUNTING HOLES	2.905" O.C.
WT PER FOOT	1.064 LB/FT

PART NO	2829	<b>Crest Aluminum</b>	Crest Aluminum Products Inc 8287 Tyler Blvd Mentor OH 44060 USA	DATE	REVISIONS
ALLOY / TEMPER	6061 T-6			07-07-15	FINAL PRINT
FINISH	60 MIN CLR VELO	JOB NO.	DATE:	06-16-15	
LENGTHS	29'-6"	CUSTOMER / PROJECT			
UNSPEC RADIUS	.015"	BAVARIA 51 TOE RAIL			
DRAWING BY:	J. M. ALLIN	© Crest Aluminum Products Inc. 2008-2015 J.M. Allin Sr.		SCALE	3-1