

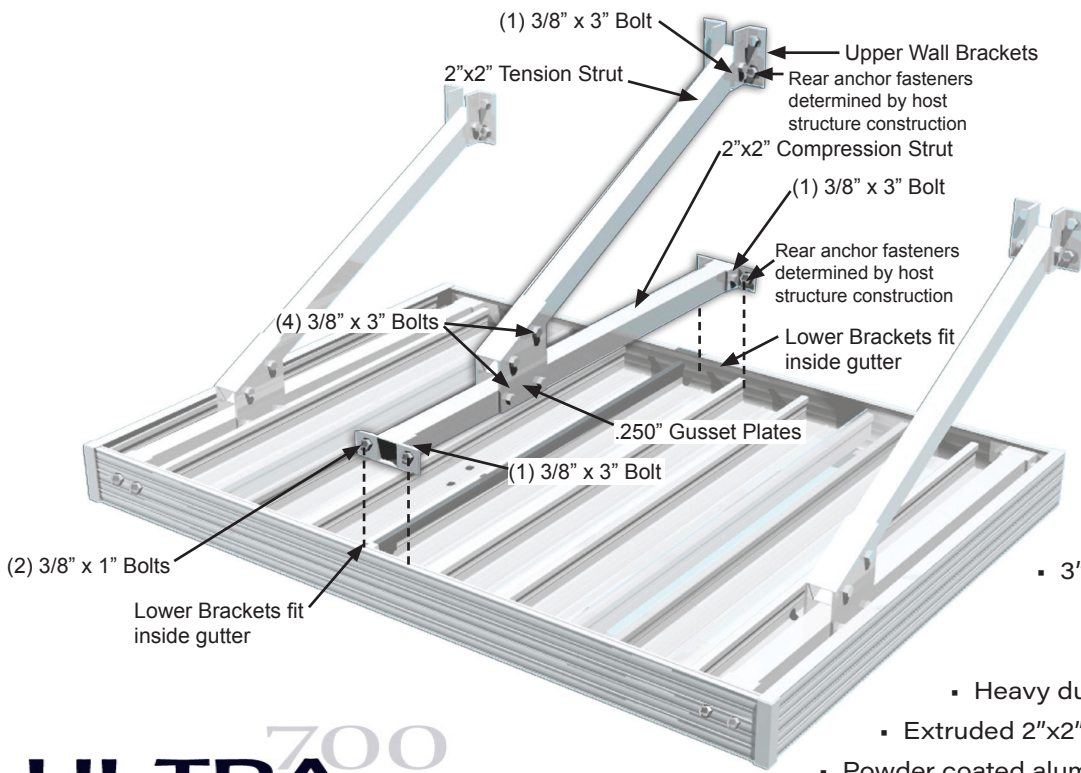
OVERHEAD CANOPY SYSTEMS



700 ULTRA series EXTRUDED PERIMETER

Crest ULTRA 700 Series canopies combine the robust strength and durability of an all extruded aluminum perimeter with roll formed aluminum decking, providing an easy to install, long lasting, cost effective solution. Adaptable to fit many different projections and capable of virtually any width, this system of pre-drilled powder coated plates and brackets coupled with extruded aluminum tension and compression struts will provide years of maintenance free protection from the elements. Avoid delays and keep your project on time with our guaranteed three week lead times.





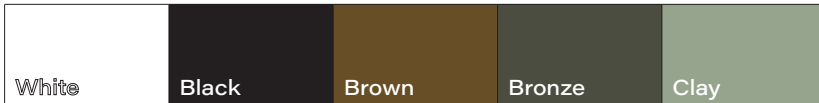
Features

- 3" x 8" Interlocking Aluminum Flat Pans
 - .024, .032, or .040 thickness
- Stainless steel fasteners for pans
- Heavy duty extruded aluminum gutter & fascia
- Extruded 2"x2" square compression & tension struts
- Powder coated aluminum gusset plates and wall brackets
- Available in standard colors and custom powder coat finishes

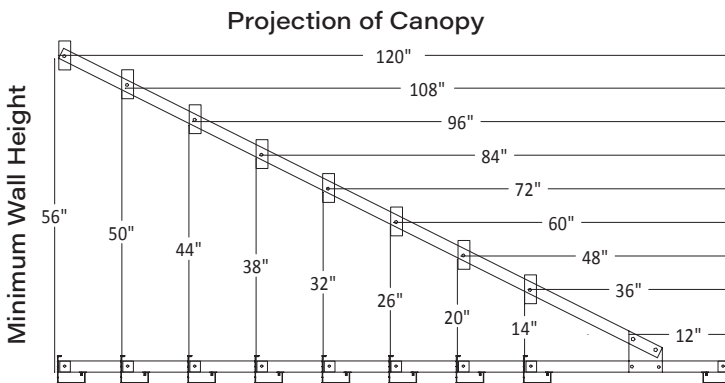
**700
ULTRA series**
EXTRUDED PERIMETER

SIMPLE AFFORDABLE EFFECTIVE VERSATILE

Standard Colors



*Custom colors available in powder coat finish



Minimum Wall Height Required

*Wall height dimension is measured from center of lower wall bracket to center of upper wall bracket

