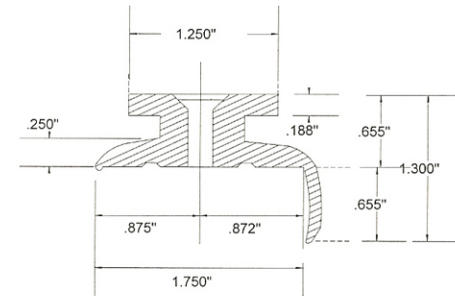
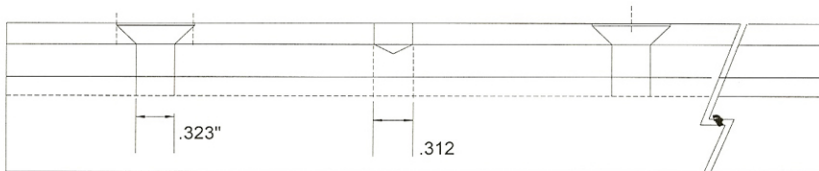
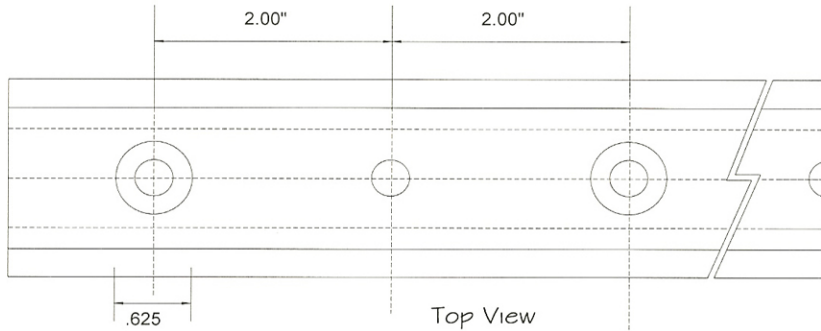


Crest Aluminum Products Inc
 Part No. 2817
 1 1/4" "T" Toe Rail



Notes:
 Alloy: 6063 T-6
 Finish: 30 Min Velo -Clear
 and Hard Coat
 Lengths: 19' -10"
 Wt. / Ft: .975 lbs

ALLOY		 Crest Aluminum Products Inc 8287 Tyler Blvd Mentor OH 44060 USA	REVISIONS	DATE
LENGTHS			JOB NO.	DATE: 12/10/1988
FINISH		CUSTOMER / PROJECT	2817 "T" TOE RAIL	
		© Crest Aluminum Products Inc 1988 J.M. Allin	SCALE: 1" = 1.25"	