

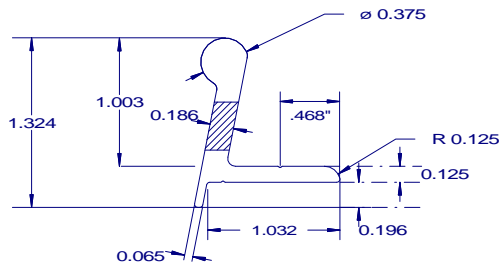
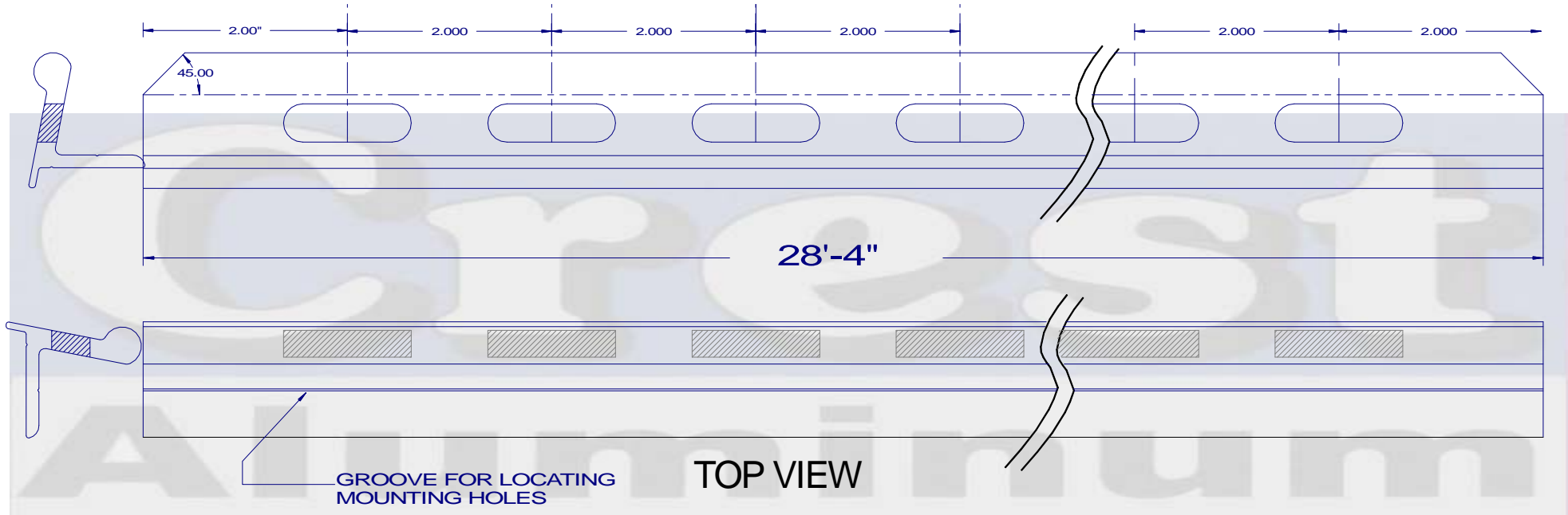
# CREST #2816HC-28 OLSON-30 / 911 S.E. TOE RAIL



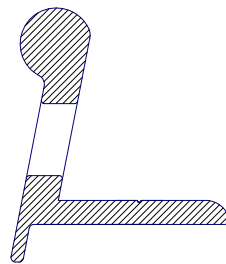
Crest Aluminum Products Inc  
Part No. 2816HC-28  
Die No. CTP- 53  
Olson 911 S.E. Toe Rail

MARINE PRODUCTS  
www.crestaluminum.com

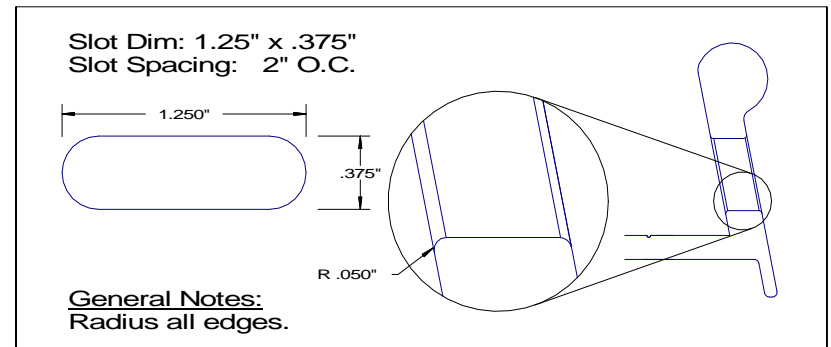
## SIDE VIEW



## Profile View



## Full Size



### Notes:

- Alloy:** 6061 T-6
- Finish:** HC -II BLACK CLASS 1
- Lengths:** 28' - 4"
- Slots:** 2" On Center
- Mtg Holes:** - no holes -
- Wt./ Ft.:** .451 lb/ft

PART NO	2816HC-28		Crest Aluminum Products Inc 8287 Tyler Blvd Mentor OH 44060 USA	REVISIONS	DATE
ALLOY	6061 T-6			final dwg	00-00-10
FINISH	BLK HDCT	JOB NO.	DATE: 12-02-10		
LENGTHS	28'-4"	CUSTOMER / PROJECT			
UNSPEC RADIUS		2816HC-28 OLSON 911 S.E. TOE RAIL			
DRAWING BY:	J. M. ALLIN	© Crest Aluminum Products Inc 2010 J.M. Allin			