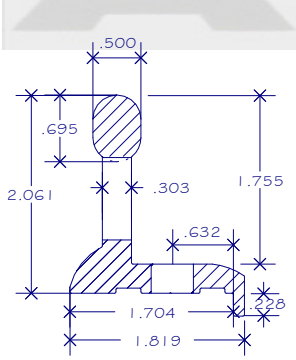
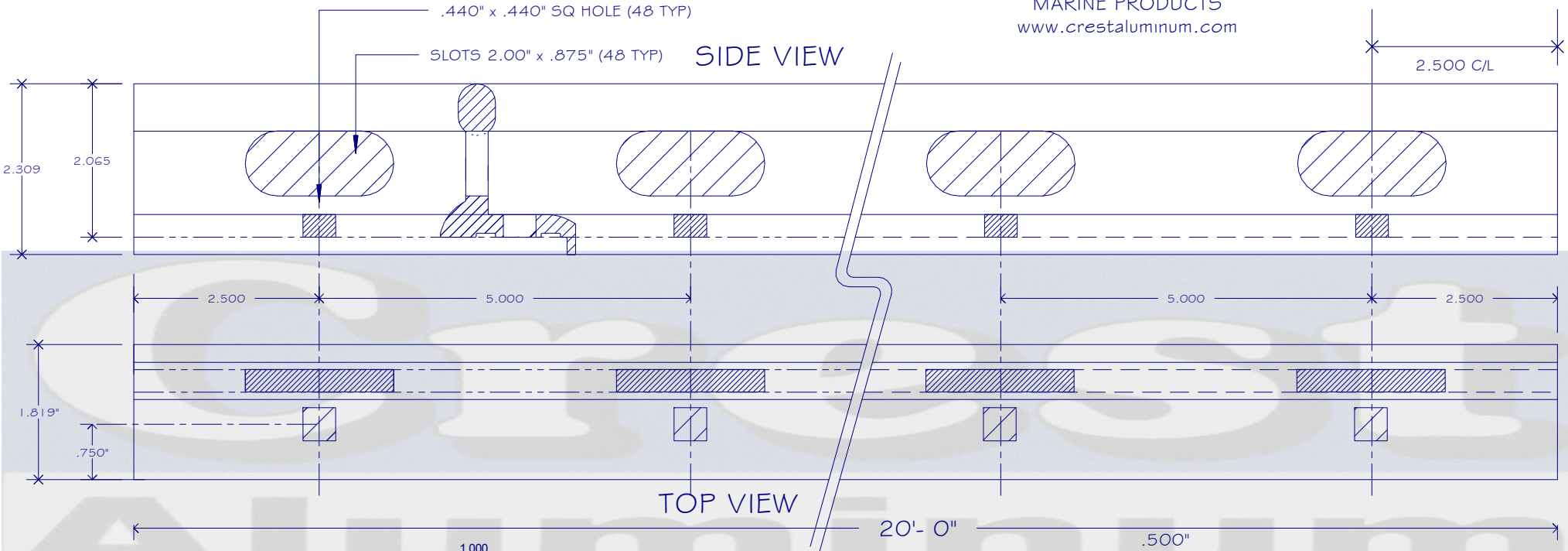


CREST 2837 TARTAN® 41 TOE RAIL

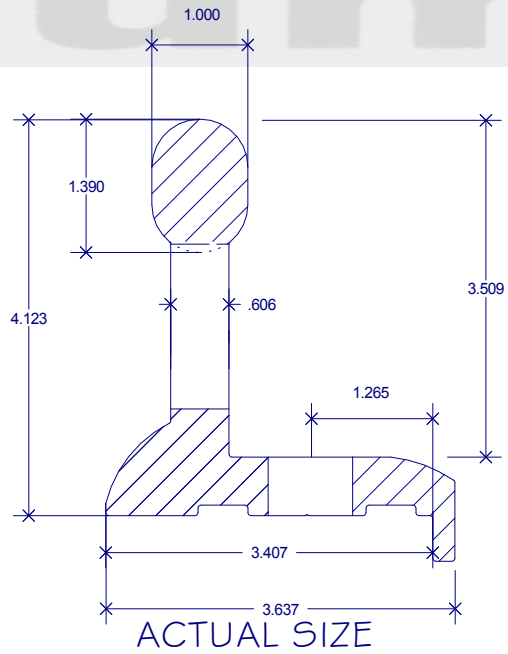


Crest Aluminum Products Inc
Part No. C-2837
Die No. CTP 34
T41 Toe Rail

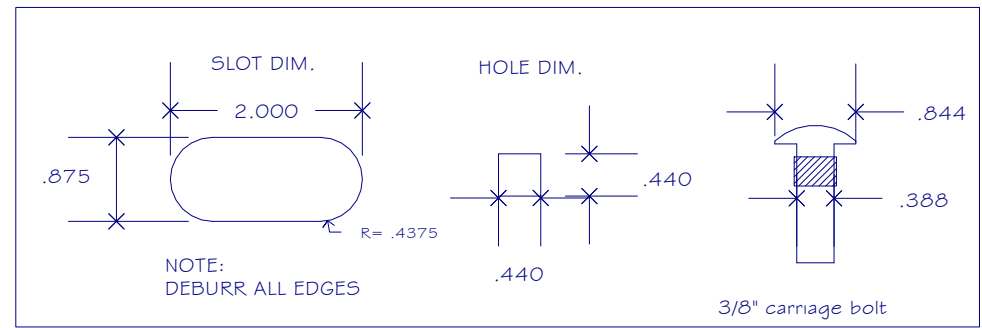
MARINE PRODUCTS
www.crestaluminum.com



SECTION VIEW



ACTUAL SIZE



Notes:

- Alloy: 6061 T-6
- Finish: Hard Coat Anod.
- Lengths: 20'-0"
- Slots: 5" centers
- Holes: 5" centers
- WT. / FT. 1.402 lb/ft

PART NO/PART NO	C-2837		Crest Aluminum Products Inc 8287 Tyler Blvd Mentor OH 44060 USA	REVISIONS	DATE
ALLOY	6061 T-6				
FINISH	BLK HDCT ANOD	JOB NO.	DATE:		
LENGTHS	20'-0"	CUSTOMER / PROJECT			
UNSPEC RADIUS	.016"	CTP 2837			
DRAWING BY:	J. M. ALLIN	© Crest Aluminum Products Inc 2006 J. M. Allin			