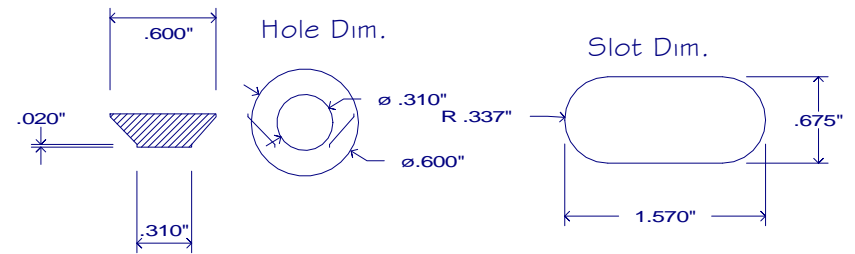
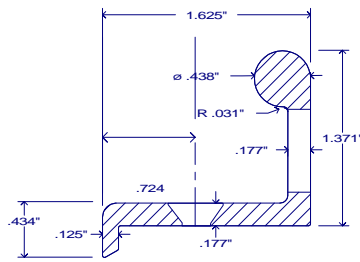
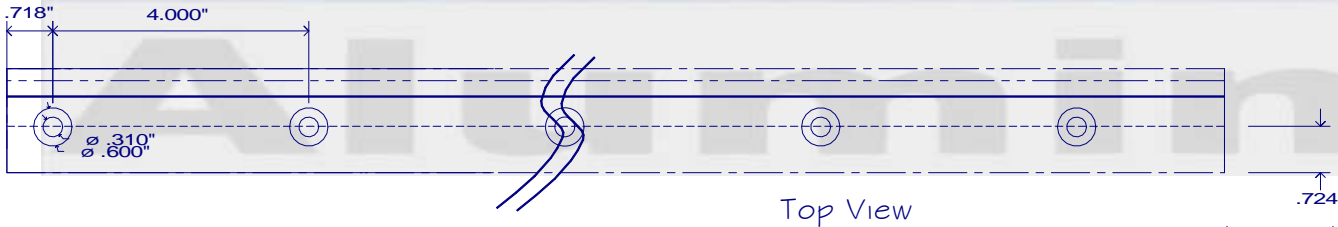
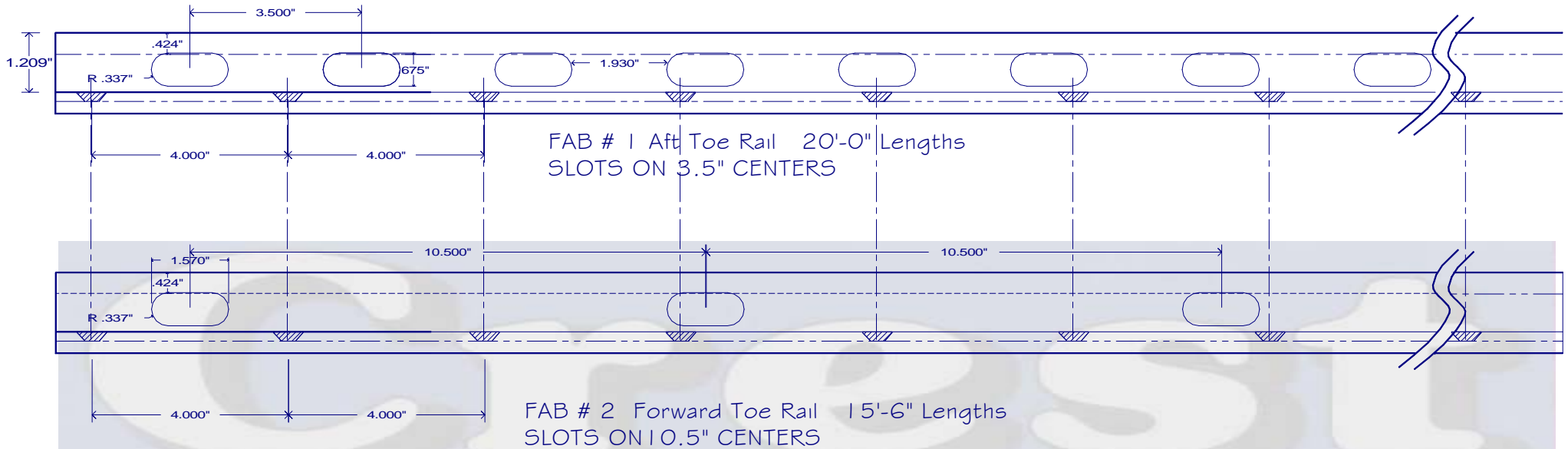


C-2818-155 C-2818-20
 OLD STYLE "C & C" SLOTTED TOE RAILS
 FORWARD AND AFT VERSIONS



Crest Aluminum Products Inc
 Part No. C-2818 FWD
 C-2818 AFT
 Old Style C&C Toe Rails



Notes:

- Alloy:** 6061 T-6
- Finish:** Hard Coat Anod.
- Lengths:** 15'-6" AND 20'
- Slots:** AFT RAIL 1.57" x .675" 3.5" on center
- FWD RAIL 1.57" x .675" 10.5" on center

ACTUAL SIZE

PART NO.	2818 FWD - 2818 AFT	Crest Aluminum Products Inc 8287 Tyler Blvd Mentor OH 44060 USA	REVISIONS	DATE
ALLOY	6061-T6		JOB NO.	DATE: 11-21-06
LENGTHS	20'-0" and 15'-6"	CUSTOMER / PROJECT		
FINISH	HARDCOAT ANOD	"C&C" Old Style TOE RAIL		
DRAWING BY:	J. M. ALLIN	© Crest Aluminum Products Inc 2006 J.M. Allin		SCALE: 1" = 1"